



Magazine Spare Parts

Power Transmission Total Care
2020 – No. 1

Magazine

Spare Parts

Power Transmission Total Care

2020 – No. 1

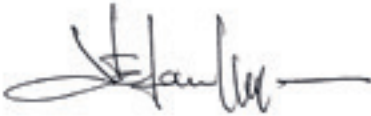


Carraro

Spare Parts

This year will be in our memories forever. Nevertheless we're moving forward! The new 2020 magazine has been created in response to several needs: fewer words, to allow translations in more languages than before, fewer pages, clear concepts and messages.

The aim is always the same: to offer a brief but complete notion of what Carraro is! Enjoy!



Stefano Image
*Carraro After Sales
& Spare Parts Director*



Where We Are



United States

- › Rockford (IL)

Italy [2 plants]

- › Rovigo
- › Poggiofiorito (CH)

Argentina

- › Buenos Aires



LEGEND



**Dedicated
Spare Parts Plants**



**Production Plants
with Spare Parts
Warehouse**

India
› Pune

China
› Qingdao

Products and Applications

AGRICULTURE

Transmissions

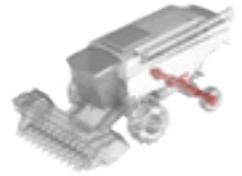
(from 30 HP to 250 HP)

- › mechanical
- › power shift

Electronic Control Units

Axles

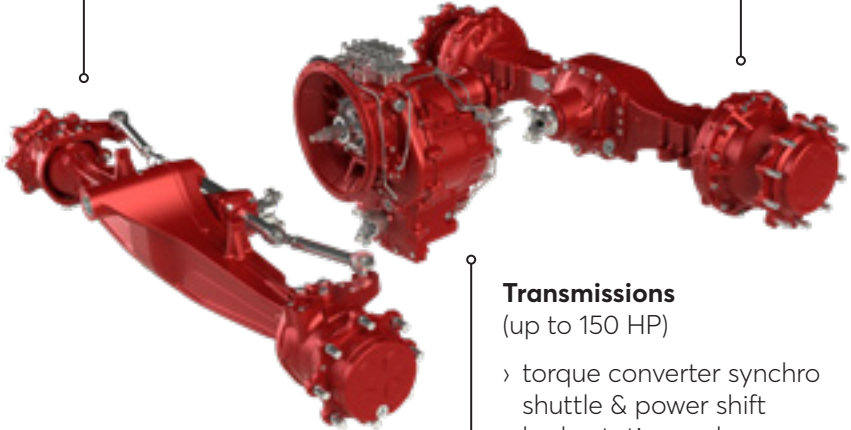
(from 30 HP to 450 HP)



CONSTRUCTION EQUIPMENT

Front axles

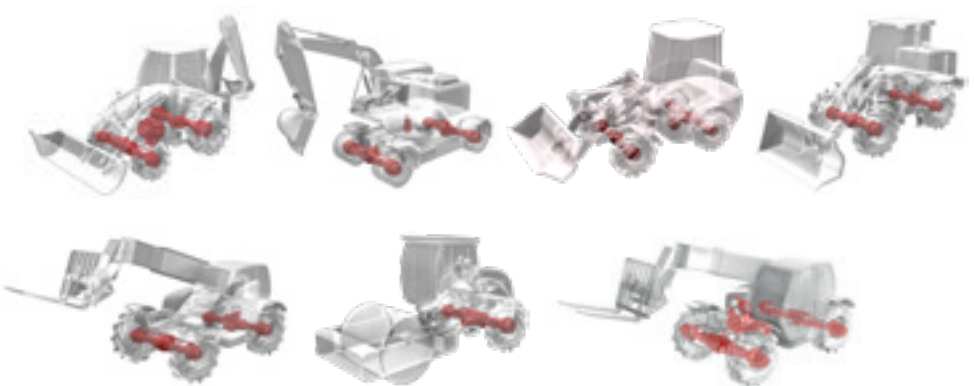
Rear axles



Transmissions

(up to 150 HP)

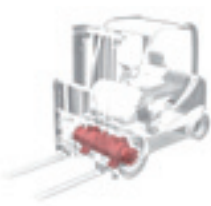
- › torque converter synchro shuttle & power shift
- › hydrostatic synchro & power shift
- › full electric & hybrid electric



MATERIAL HANDLING

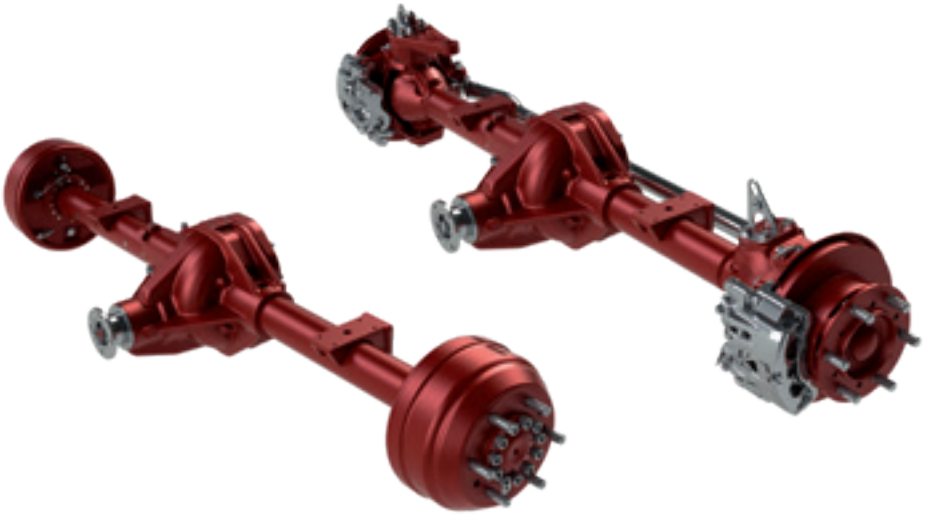
Transaxles for ICE Counterbalance Truck
up to 3.5 tons of Lift Capacity (CLASS IV-V)

Transaxles & front dual drives for ELECTRIC Counterbalance
Truck up to 5 tons of Lift Capacity (CLASS I)



AUTOMOTIVE

Axles up to 9 tons GVW

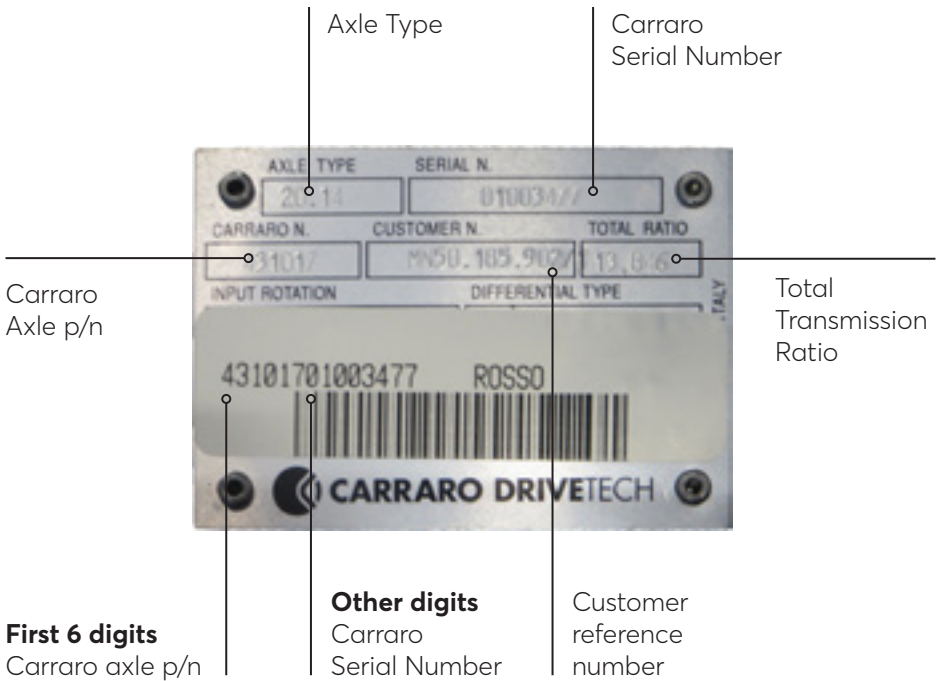


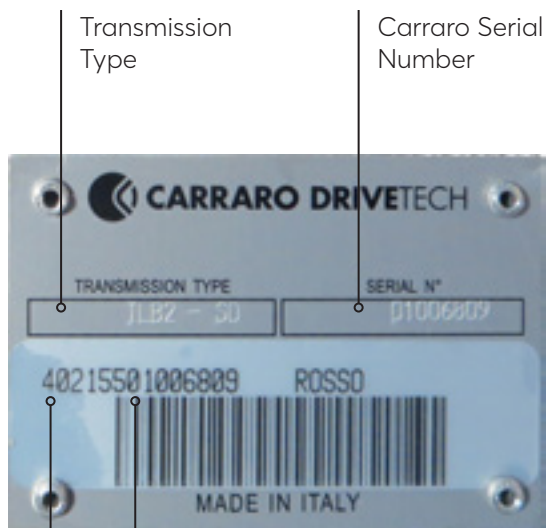




How to Recognize a Carraro Product

1. The **metal plate** fixed to the axle or transmission.





Transmission
Type

Carraro Serial
Number

First 6 digits

Carraro
transmission p/n

Other digits

Carraro
Serial Number



2. The five/six-digit number moulded in cast iron.



Wheel hub



Beam central body



Half housing transmission



Axle beam



3. The planetary carrier cover.



Carraro

Genuine Parts

Highest level of **quality** and **reliability**

Longer life for your vehicle

Reduced noise pollution



Designed and manufactured according to **factory specifications**

Improved safety







WHICH ONE WOULD YOU BUY?

Two bevel gears (Carraro genuine and non-genuine) subjected to **500 hours of testing**, corresponding to 10,000 hours of field work.



Non-original

Teeth breaking on pinion base, **after only 40 hours.**

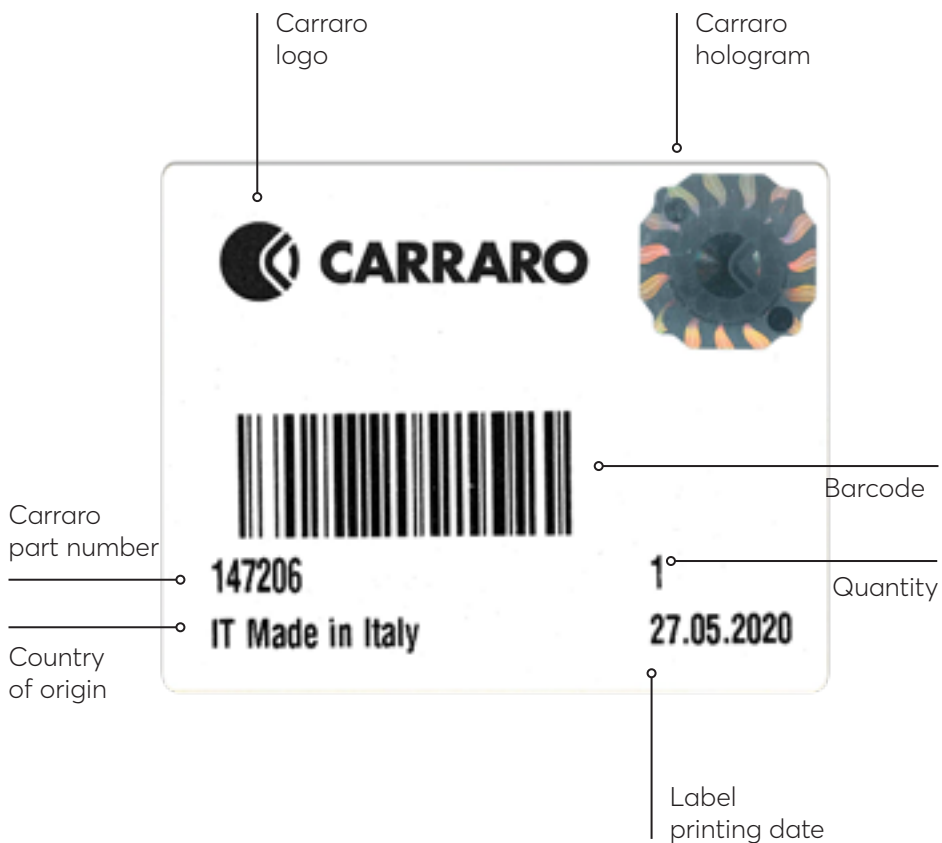
Carraro original

Teeth wear on the Carraro pinion at the **end of the test.**



Brand Protection

All parts distributed by Carraro and the authorized distributors are labelled with the **unique Carraro hologram**.





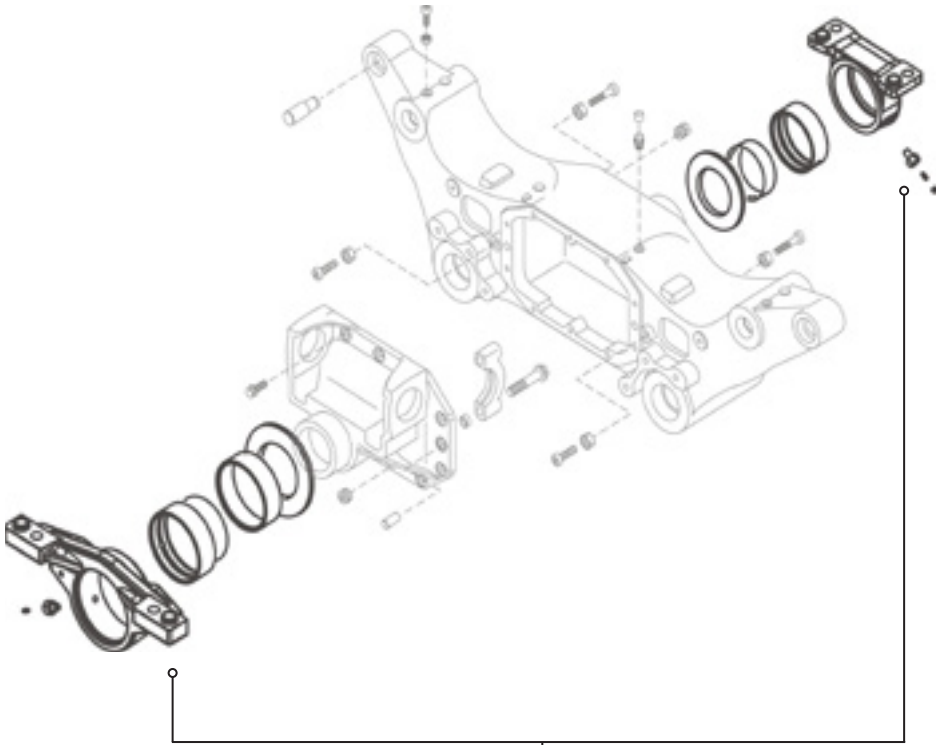
Carraro

Repair Kits

Genuine maintenance and repair kits approved by Carraro Engineering **are designed and produced to the strict tolerances of your axle or transmission for guaranteed functionality, performance and reliability.**

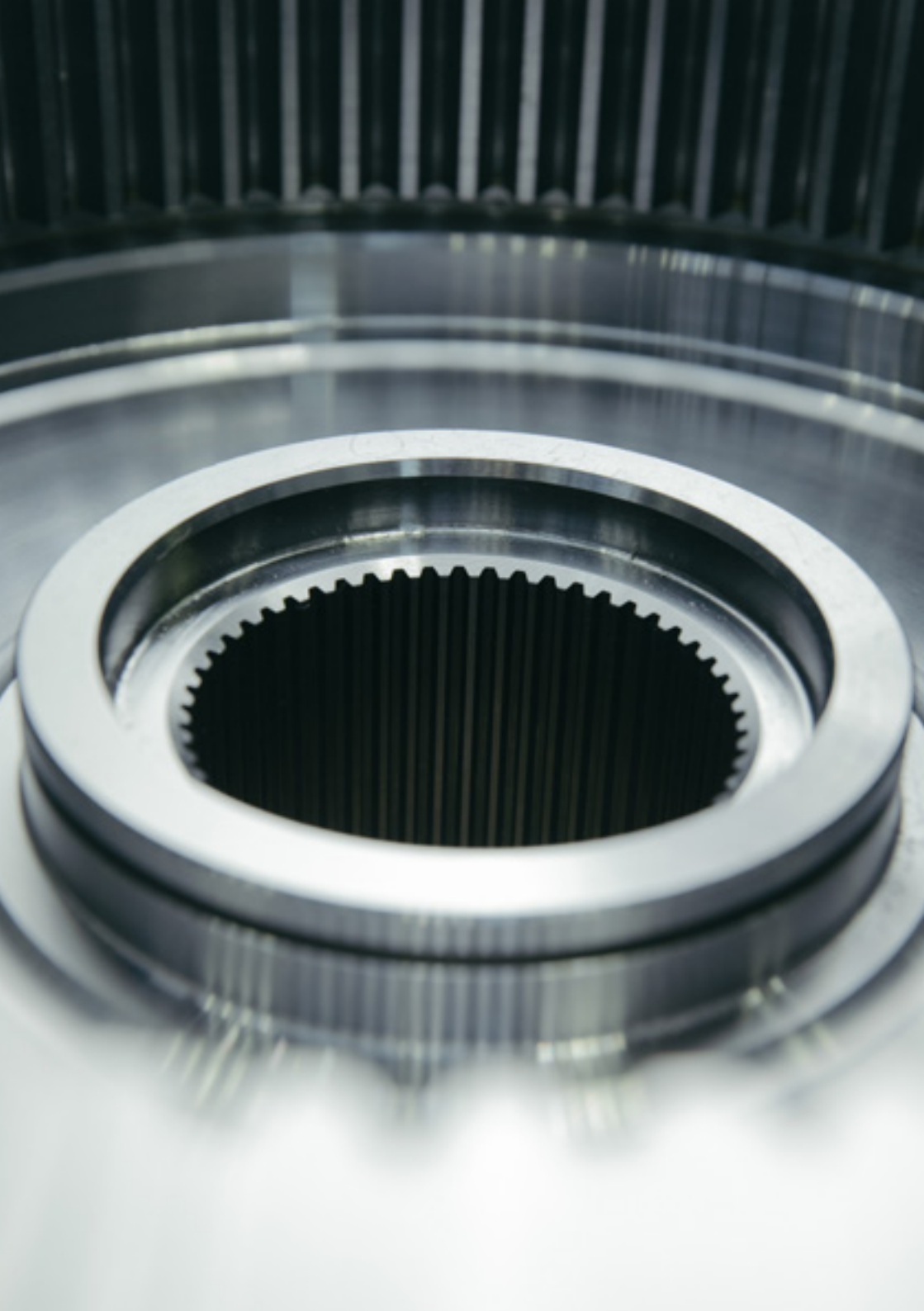
- › **save money and time** compared to buying separate components;
- › **all the necessary genuine parts** you will need to complete your repair;
- › **longer life** for your vehicle.





Axle
support kit





Carraro Tools

- › **designed and tested by Carraro;**
- › the **best solution to perform all operations in safety** and with the utmost precision;
- › **professional repair** free from doubts about the performance of the repaired product.



Carraro Professional Work Bench

for qualified repair and maintenance of:



○ —————
Axles (all types)

Construction equipment
transmissions

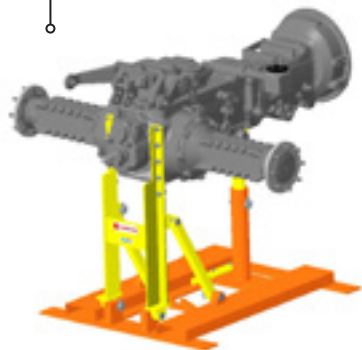
○



Agricultural
transmissions

NEW!

○





Carraro Oil

Carraro high-performance lubricants.

CarraroOil lubricants are designed **to provide optimal lubrication and high protection against wear.**

The best way to **keep your equipment healthier for longer** is by using only CarraroOil products, created by the designer and manufacturer of the transmission systems in collaboration with the leading companies in the lubricants market.



CARRARO OIL



Axle Oil



Transmission Oil



Gearbox Oil



Engine Oil



Brake Oil



Hydraulic Oil

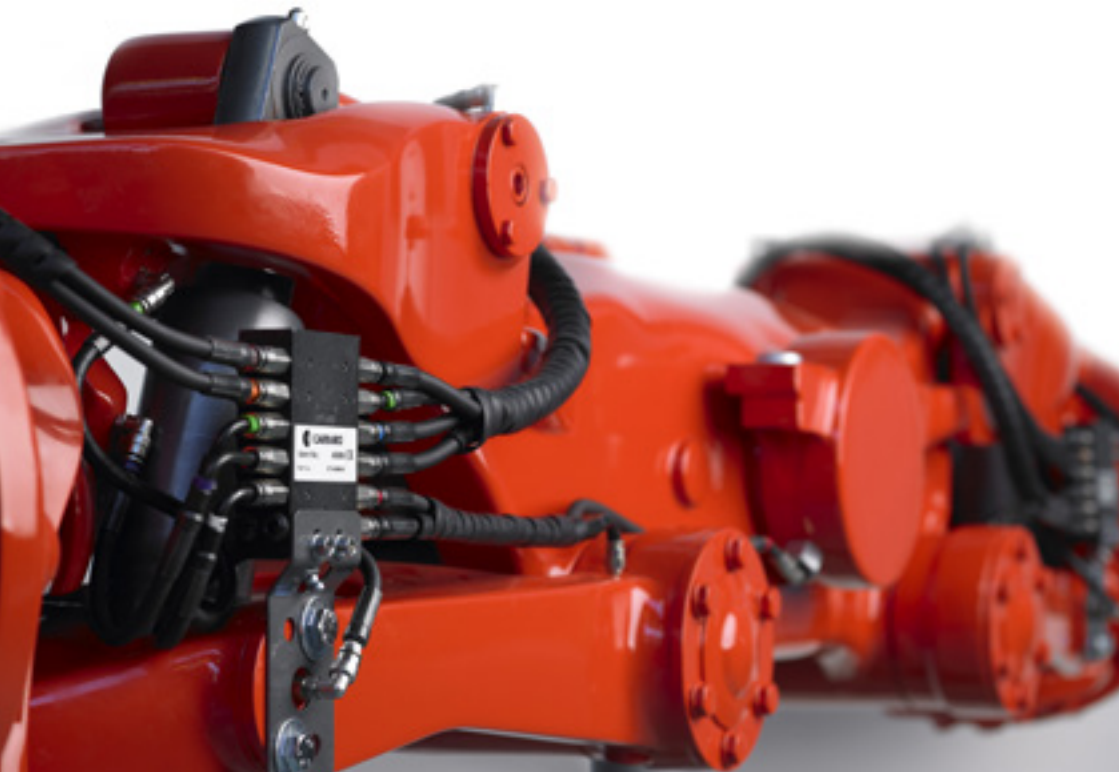


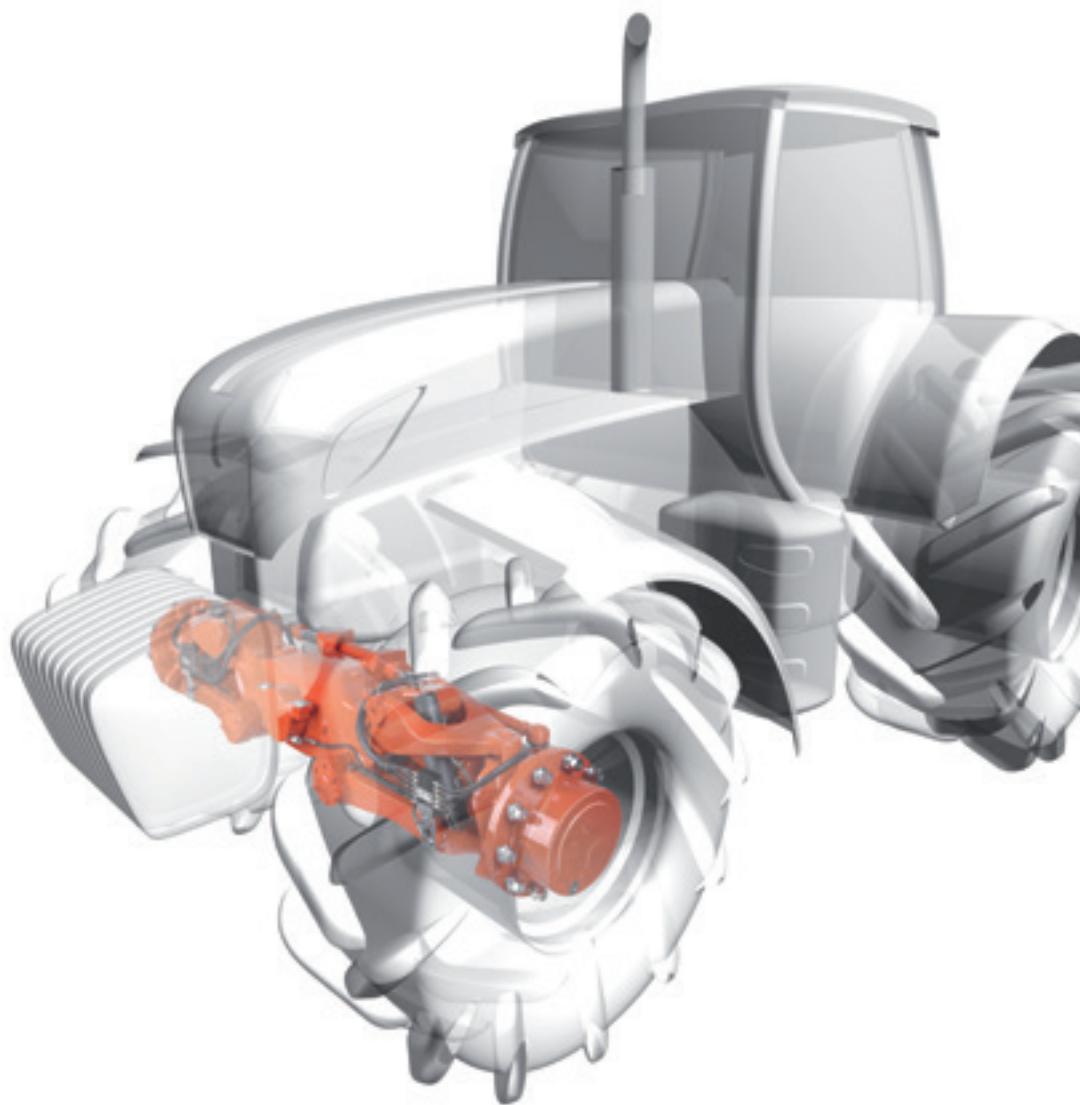
Multi-Purpose Grease

Carraro Easy Lub

The solution, comprising a divider and an ad hoc system of high-pressure pipes, allows **the right quantity of lubricant to quickly and simultaneously reach all of the critical joints of:**

- › steering and suspended axles;
- › hydraulic lift for agricultural transmissions.





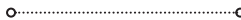
Carraro DiaGnoSys

Multi-brand diagnostic tool for agricultural and construction equipment vehicles.

- › it **exchanges information with the ECU** through an intuitive interface, giving users quick access to any function related to the condition and operation of the transmission system and other important vehicle data;
- › the software application can be installed on any **PC with Windows operating system**;
- › freedom of movement around the vehicle thanks to the **Bluetooth connection**.



 Bluetooth™





Carraro Beyond

New opportunity, beyond the Parts!

Thanks to collaboration with suppliers and partners with a solid reputation, Carraro After Sales & Spare Parts extends its range by offering, through the distributor network, **a selection of quality products and components for the agricultural, construction equipment and automotive sectors.**



Find more details on:
carry4you.it
shop.carraro.com





Magazine
Spare Parts

Power Transmission Total Care
2020 – No. 1

Carraro Drive Tech Italia Spa
After Sales & Spare Parts

Viale del Lavoro, 1

45100 Rovigo

Italy

T +39 0425 403611

F +39 049 9289271

spareparts@carraro.com

Carraro Drive Tech Italia Spa
After Sales & Spare Parts

Follow us on
carry4you.it
shop.carraro.com

