



TM

Venieri
SPA

8.63TL

TELESCOPIC
WHEEL
LOADER





VENIERI
8.63TL





ALWAYS CLEAN AIR

The new air cleaning system offers you a three-stage filtration through primary filter, safety filter, and a **cyclonic pre-filter** for maximum engine protection.



TIER 4F/STAGE IV ENGINE

The new **Deutz engine** is compliant with the most recent **emission standards**, and it is able to deliver **high torque at low rpm**.



DISK BRAKE SYSTEM

In addition to a **strong hydraulic brake system on every axle**, the 8.63TL is designed to be configured with **the most common trailer braking systems** (EU type approval - Mother Regulation 167/2013)



TYRE RANGE FOR ANY KIND OF APPLICATION

Wide range of tyres selected for any kind of terrain and application: both **industrial** and **agricultural**.



TOTAL STABILITY

Equipped with **rear oscillating axle**, and central fixed articulation, heavy-duty and oversized, suitable for 10 tons machines.



APPROVED AS YOU WANT IT

Different sort of road type approvals available:

- **Agricultural tractor** (EU type approval - Mother Regulation 167/2013)
- **Agricultural tractor with trailer** (EU type approval - Mother Regulation 167/2013)
- **Italian type approval - Agricultural machine**
- **Italian type approval - Industrial machine**



HEAVY DUTY TELESCOPIC BOOM

Boom and kinematic developed for **heavy-duty applications**. The **oversize** of the boom and the kinematic assure great **reliability** and **safety** in every kind of work, in particular the heavy-duty ones.



SMALL STEERING ANGLE

The central articulation allows a **small steering angle** and the **constant alignment of the front axle and the bucket**, ensuring great **agility, flexibility and efficiency** in every situation.



FRESH & COOL

The **new ventilation system** ensures the best comfort to the operator. The 8.63TL can be equipped with the **automatic climate system** or the **air conditioning**, to get always the **perfect cabin temperature**.



BREATH-TAKING VIEW

Thanks to the **Smart Layout** of cabin and engine hood, the 8.63TL ensures the best **front, rear, upper** (wide upper glass surface with ROPS-FOPS protection) and **side visibility**.

The **double entrance door (with doors tilting 180°)** ensures **easy access and easy exit** in every work condition. The front **Full Glass** side allows the operator to be always in control of the working area, keeping the **perfect cabin temperature** thanks to the tempered and coloured glasses.



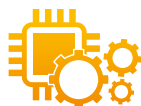
SMART HYDRAULIC SYSTEM

The **high flow and high pressure hydraulic system**, equipped with variable pump and flow sharing distributor, ensures **low consumption levels** and prompt action in every movement. The **electrical management** of the hydraulic functions, like telescopic and auxiliary lines, allows a **perfect handling** in every kind of work.



VROOOOOOM!

40 km/h driving speed, self-limited. Venieri is part of the Italian Motor Valley, so the speed cannot be an optional!



VEPS TRASMISSION

The **Venieri PowerShift Transmission** with electronic management and **automatic gear** ensures a great traction force and comfort in long journeys, with trailer too.



LED LIGHTS

Designed in the Nordic countries, where darkness hours can be greater than daylight hours, these lights ensure an incredible operative comfort and visibility. The **high lighting value**, the **low energy consumption** and the **reduced dimensions** allow seeing in the dark like never before.

8.63TL

TELESCOPIC WHEEL LOADER



DIESEL ENGINE

4 cylinders engine, common rail, water-cooled, with EGR, DOC, and SCR. Engine complies with Directive CE 97/68 – Stage IV - Tier IVf.

Type	Deutz TCD 3.6
Max power	105 kW - 143 HP
Rated rpm	2.200
Net power ISO/TR 14396	100 kW - 136 HP
Net power EEC 80/1269	100 kW - 136 HP
Economic working range	1200 - 1500 rpm
Max torque	500 Nm
Bore	mm 98
Stroke	mm 120
Displacement	cm ³ 3.620



ELECTRICAL SYSTEM

Battery	12 Volt
Capacity EN 60095-1	110 Ah - 800 A
Alternator output	96 A
Back-up buzzer	Standard
System complies with	IP 67 - DIN 40050



TRANSMISSION

Venieri Electronic Powershift VEPS, electronically managed. 6 automatic forward speeds and 3 automatic reverse speeds.

GEAR	MAX SPEED
1 st Gear	km/h 0 ÷ 6
2 nd Gear	km/h 0 ÷ 9
3 rd Gear	km/h 0 ÷ 14
4 th Gear	km/h 0 ÷ 25
5 th Gear	km/h 0 ÷ 28
6 th Gear	km/h 0 ÷ 40



AXLES

Four wheel drive. Planetary reduction gears on each wheel. Fixed front axle. Rear oscillating axle, up to a total 18° maximum angle oscillation. Self-locking limited slip differential on front axle (optional on rear axle).



BRAKE SYSTEM

Service brakes: hydraulic multi-disk oil brake on front and rear axles. Parking brake: Mechanically operated disc brake, located on front axle, by manual activation.



TYRES

Standard Agricultural	460/70 R24
Optional Agricultural	500/70 R24
Optional Industrial	15.5 R25 • 405/70 24



STEERING SYSTEM

LOAD SENSING power steering system.

Total steering angle	90°
Tyre inside radius	mm 1.936
Tyre outside radius	mm 4.306
Bucket outside radius	mm 4.790

* in travelling position



HYDRAULIC SYSTEM

LOAD SENSING variable displacement piston pump provides flow to the movements and steering system, and a gear pump provides flow to the auxiliary functions. Modular distributor Flow Sharing with main relief valve. Double-acting hydraulic cylinders. Hydraulic oil cooling radiator. Full-flow oil filter on the return line. Servo-controlled joystick with all proportional control on every use.

Max. flow	lt/1'	140
Loader relief valve pressure	bar	240
Steering relief valve pressure	bar	175



TELESCOPIC BOOM

Telescopic boom with Z-bar linkage and compensation to ensure parallelism.

- Anti-tipping device and safety block valves
- Telescopic boom cylinder with hydraulic brake.
- Ride control and floating mode on request.



SERVICE FILL CAPACITIES

Engine oil	lt	8
Front axle oil	lt	9,2
Rear axle oil	lt	9,1
Hydraulic system	lt	150
Brake system	lt	0,9
Fuel	lt	160
Water cooling	lt	9
DEF/AdBlue®	lt	20



SPECIFICATIONS

Standard bucket capacity	m ³	1,2
Standard bucket width	mm	2.400
Straight static tipping load	kg	6.400
Full turn 45° static tipping load	kg	5.300
Hinge pin height (telescopic retracted)	mm	4.090
Hinge pin height (telescopic extended)	mm	5.480
Dump height at 41° (telescopic retracted)	mm	3.095
Dump height at 41° (telescopic extended)	mm	4.485
Reach at 41° (telescopic retracted)	mm	460
Reach at 41° (telescopic extended)	mm	920
Breakout force	kg	7.815
Maximum loading height w. forks (telescopic retracted)	mm	3.890
Maximum loading height w. forks (telescopic extended)	mm	5.280
Full turn tipping load with forks	kg	4.000
Payload EN474-3 (80%) [*]	kg	3.200
Payload EN474-3 (60%) [*]	kg	2.400

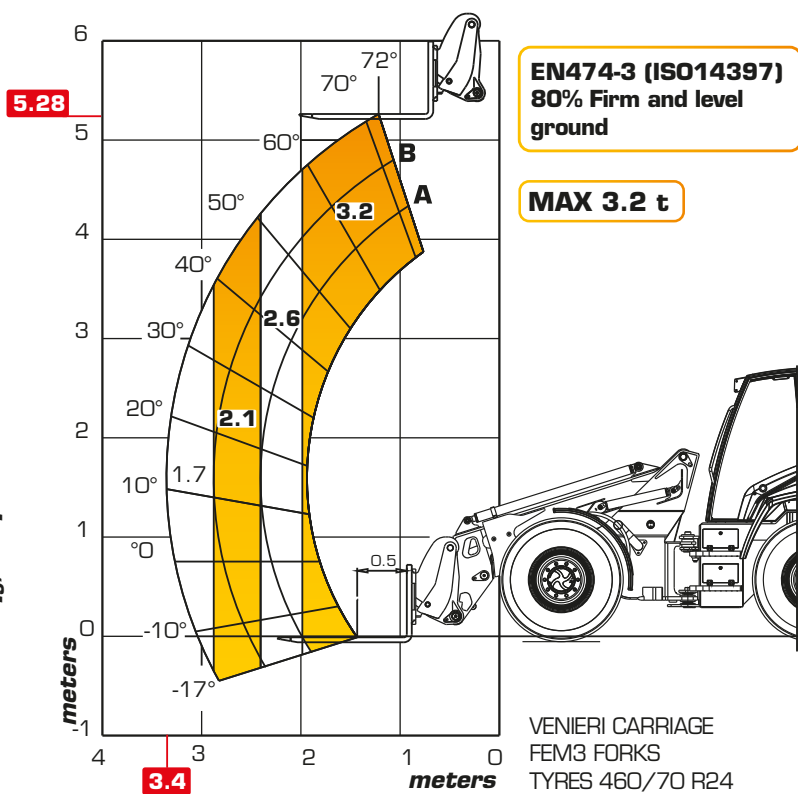
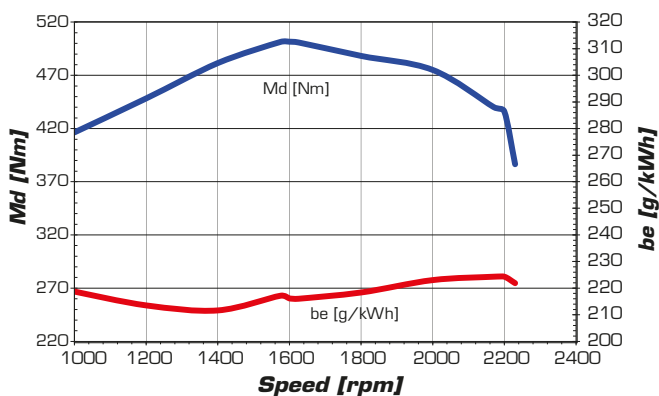
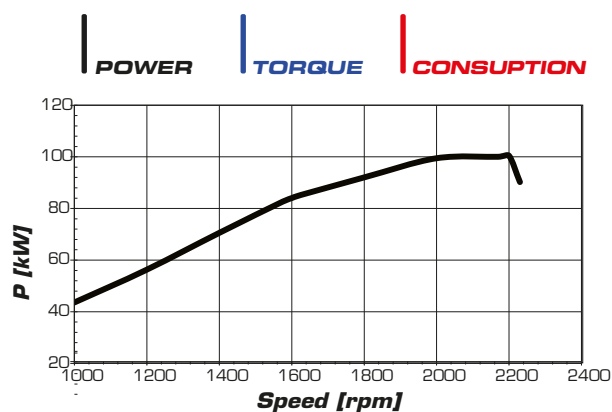
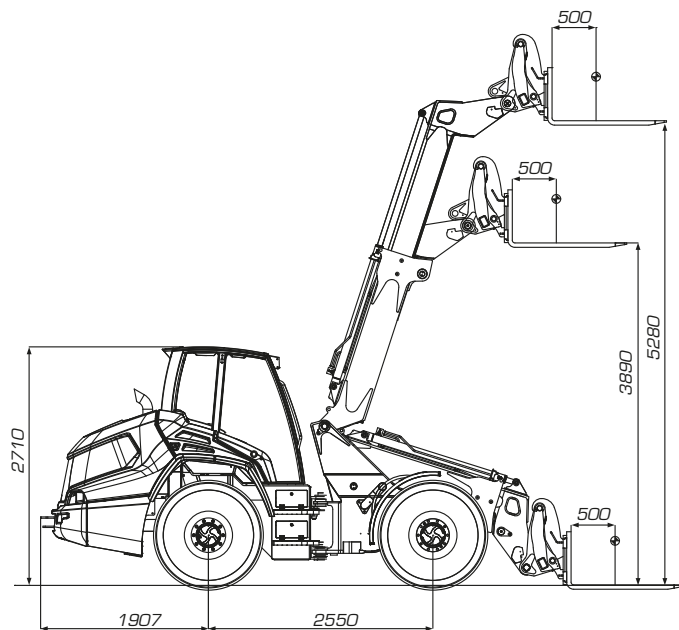
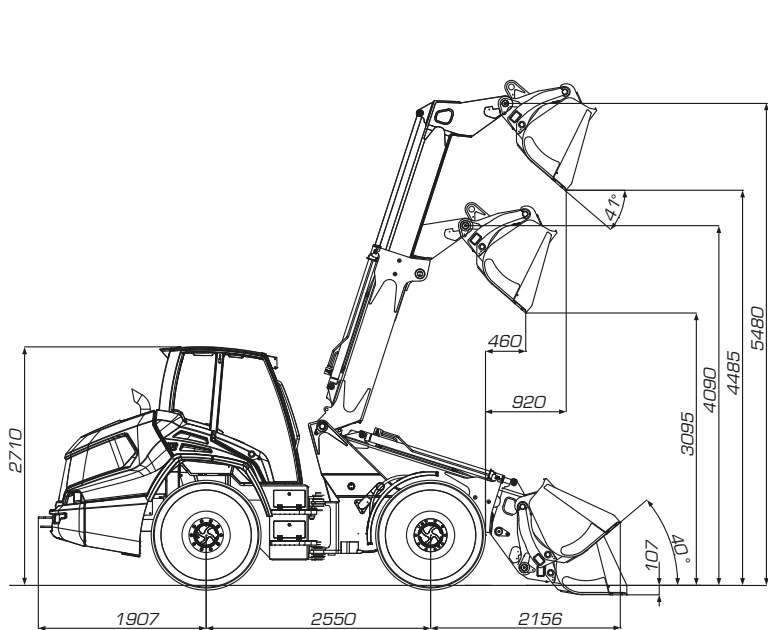
[*] loading center 500 mm



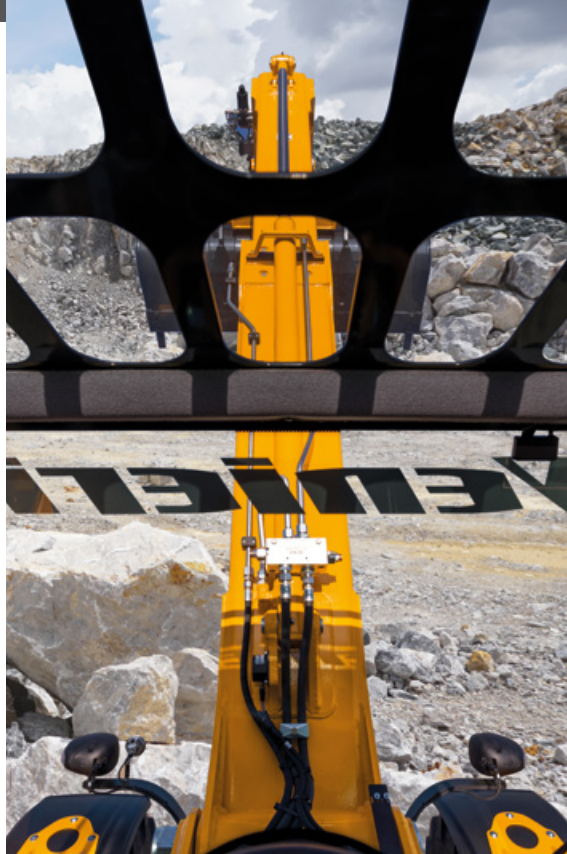
DIMENSIONS & WEIGHTS

Max. length in travelling position with Std bucket	mm	6.613
Max. width in travelling position	mm	2.430
Max. height	mm	2.710
Wheel track – Std tyres	mm	1.870
Overall standard tyre width	mm	2.340
Wheelbase	mm	2.550
Ground clearance	mm	290
Operating weight	kg	8.400
Max permissible weight	kg	9.100

The illustrations on the present folder do not necessarily show the standard version of the product. Data and dimensions described in this folder are not binding. Venieri reserves the right of carrying out possible changes at any time and without prior notice because of its policy of steady development and continuous improvement of the products.



OPERATING COMFORT



TOTAL CONTROL, ABSOLUTE COMFORT

Power is nothing without control but nonetheless perfect control is nothing without power; in VENIERI we do seek for the **best control** the operator can get in every power supply phase. That is how we can ensure the **best accuracy and precision** in whatever application the machine is involved.



ARTIFICIAL INTELLIGENCE

The **new** and **advanced man/machine interface** makes sure that the operator is constantly fully aware of the machine performances. Thanks to a wide and detailed LCD screen on the dashboard, the interface provides a constant set of information on **performance** and **diagnostic**.

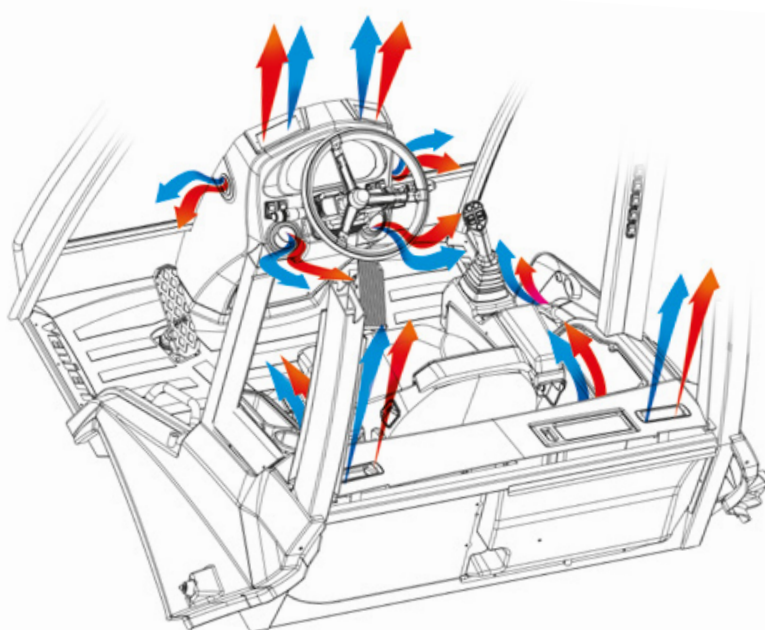
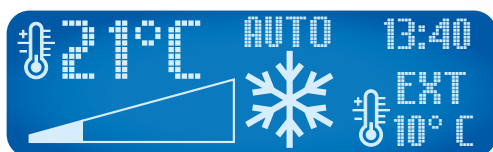


FRESH & COOL!

The whole ventilation system has been redesigned to be in line with ISO10263, making sure that the heating and A/C system is of easy maintenance, thanks also to the possibility of tilting it compared to its housing.

The operator can decide the ideal cabin temperature with just one dashboard, that means great comfort while working.

8.63TL can also be equipped with the **Venieri Climatronic**: you set the temperature, it makes the rest!



TOTAL STABILITY

Thanks to the fixed articulation, the rear oscillating axle (with up to 18° angle oscillation) makes sure the machine has an **excellent absorption**, even in the most unstable operations. The central fulcrum is rigid so both rear and front chassis are connected and fixed, whilst the rear axle is **"floating"**.



NO SKYVE HOSES

Machine hoses are like human body's veins: a pulsing net able to feed constantly the organ of the machine. This is the reason why 8.63TL is equipped with VENIERI X-SAFE, **no-skive, no-burst hoses**: our machines are built... with heart!



BLACK BOX

Like all the new Venieri models, the whole electronic system is positioned in a **waterproof compartment** inside the cabin, easy to access and complete with all the sockets for diagnostic.

VENIERI
CARRIAGE



PIN & CONE
CARRIAGE

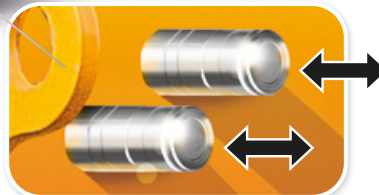
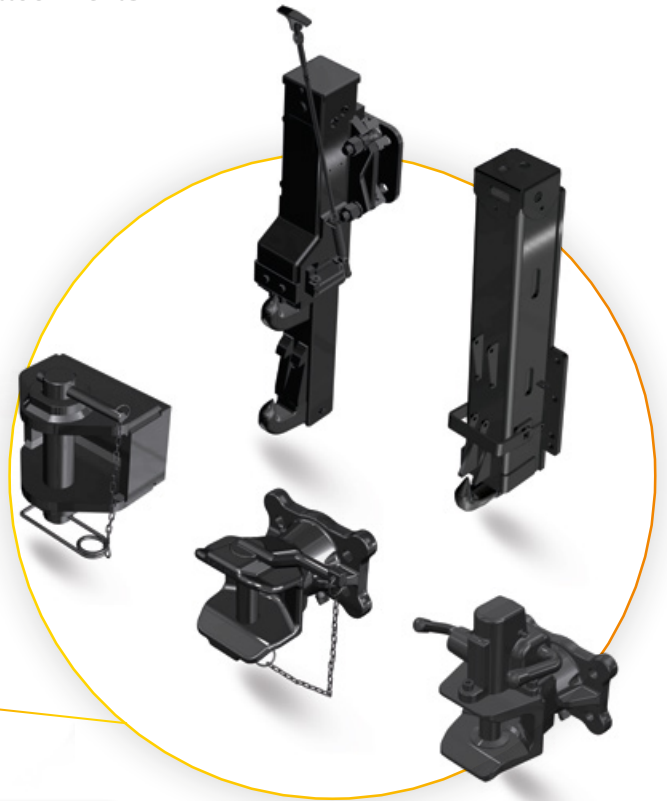


FRONT CARRIAGE

Wide range of carriages that can be fitted with hydraulic and electrical lines, to connect every kind of attachment.

REAR CONFIGURATION

Wide range of towing hooks included in the EU type-approval – Mother Regulations 167/2013. The 8.63TL can be equipped with hydraulic couplings, to supply power to rear and remote attachments.



ENGINE SPECIFICATIONS

The VF 8.63TL is powered by the **DEUTZ TCD 3.6**, the compact, water-cooled 4-cylinder inline engine for industrial and agricultural machinery with 143 hp and complies with the requirement of the **EU Stage IV** and the **US EPA Tier 4**. The engine is turbocharged, charge-air cooled and has cooled external exhaust gas recirculation.

100% power take-off at flywheel and front end. Additionally up to two PTO drives with a **total torque of up to 310 Nm**.

COMMON RAIL

The powerful Common Rail injection system and the electronic engine control (EMR) with intelligent link to the drive management ensure **optimum engine performance at low fuel consumption**.

AFTER TREATMENT

This engine is equipped by **DOC + SCR**. The **DOC** (Diesel Oxidation Catalyst) installed above the engine is a catalytic converter which transforms the most undesirable components of the exhaust gas into substances that are harmless for the environment. The **SCR** (Selective Catalytic Reduction) is a method of reducing NOx emissions. The basis of this technology is a liquid, 32.5% urea solution, which is sprayed into the exhaust gas stream by a specialized exhaust gas catalyst. This catalyst has a vanadium or zeolith coating. The urea produces ammonia (NH₃) in a passive transformation which reacts with the NOx and oxygen to form nitrogen and water.

BENEFITS

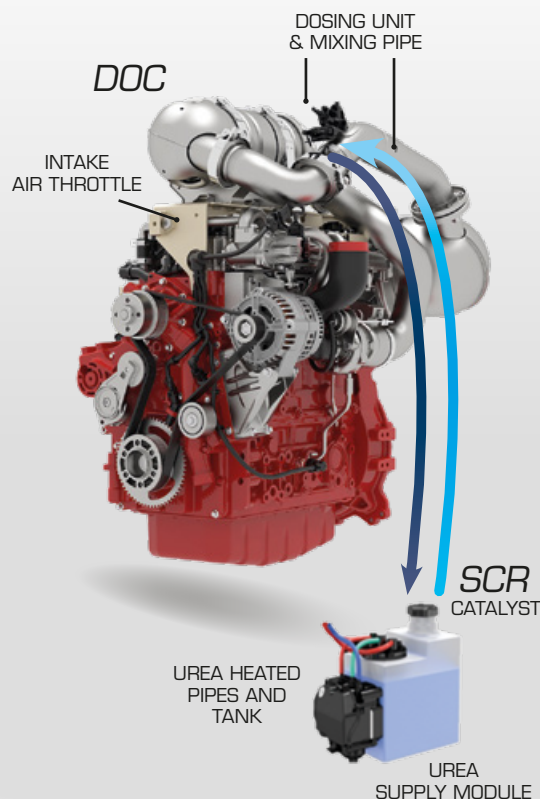
- Lowest total consumption of operating liquids compared to the competition
- 500-hour service interval regenerates sulfur deposits and AdBlue crystallization
- Technical support and diagnosis provided by the worldwide DEUTZ service network

ENGINE MANAGEMENT

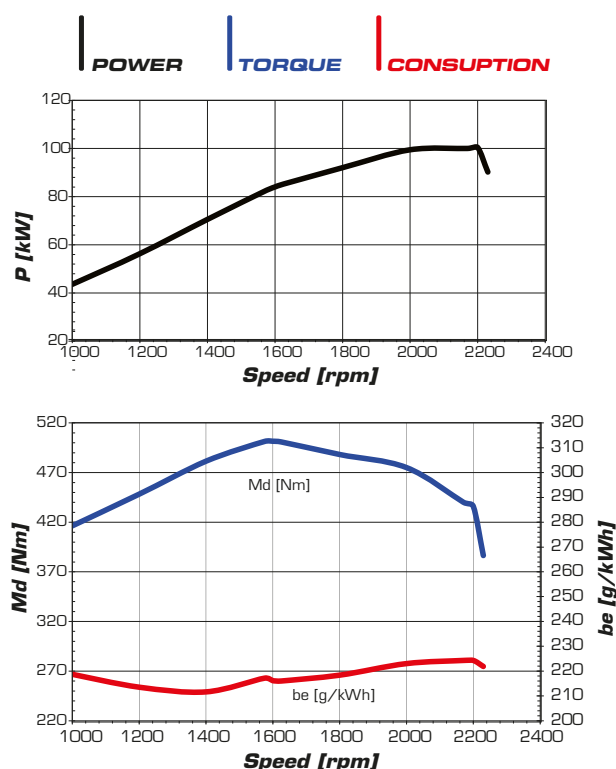
Engines equipped with DEUTZ Common Rail® fuel injection communicate with the machine via a CAN-Bus protocol. This enables functions such as “**drive-by-wire**” and full engine control to be integrated in the electronically controlled hydrostatic powertrains of vehicles or machines. Another advantage of these fully automatic, electronic controllers is the **integrated engine diagnosis and safety system**. If the engine controller registers an abnormal state, such as engine overheating, during operation, engine performance is reduced to emergency mode and is necessary until shutdown. This minimizes cost-intensive repairs, reduces equipment downtime and increases operational reliability.

ADVANCED E.A.T. TECHNOLOGY

TECHNICAL OVERVIEW
TIER 4 FINAL CONCEPT



Deutz TCD 3.6 L4 · 105 kW · 143 HP



Venieri GLOBAL

CONTROL YOUR FLEET



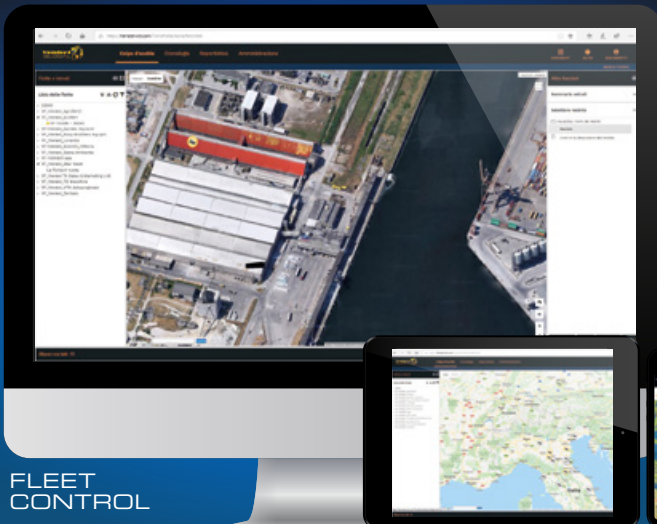
Venieri GLOBAL™ is our brand-new satellite monitoring system, which guarantees an increase in productivity by providing detailed information about the fleet and attachments, as well as an incredible amount of data to ensure the highest performance levels and greater economic efficiency.

A V A I L A B L E F E A T U R E S

Machine localisation	✓
Alerts history	✓
Maintenance plan	✓
Maintenance history	✓
Load information	✓
Working hours	✓
Security control (engine block)	0
Fuel consumption (total and partial)	✓
Fuel consumption while working	✓
Machine efficiency (while working)	✓
Detailed working hours	✓
Motion sensor alarm	✓
Curfew alarm setting	✓

Work shifts alarm	✓
Standard operating procedure history	0
Energy-saving guidelines history	0
Location log (map with locations and operating procedures)	✓
Information about diesel particulate filter	✓
Geo-fencing	✓
Localisation and managment fleet	✓
Multuser control with specific access policies	✓
List of "sleeping" machines	✓
Sms/e-mail notification	✓
Anti-theft alarm	✓
Parameters setting upon request	0

✓ Standad 0 Optional X Not available



FLEET CONTROL

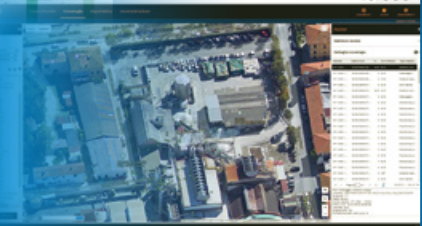
PRODUCTIVITY REPORT



REPORTISTICA: CONSUMO CARBURANTE
DA: 11/10/2018 00:00:00 - A: 11/10/2018

0	9.66
7.49	
8.86	
7.21	
7.5	15
22.4	

REAL-TIME LOCALISATION



APP FOR SMARTPHONE
IOS™ AND ANDROID™

**MACHINE
STANDARD
EQUIPMENT**


Battery main switch	✓	Gear selection on steering column	✓
Maintenance tool box	✓	40 km/h travel speed	✓
Fuel preheater (cold climates)	○	"Venieri GLOBAL" monitoring system	○
Locking fuel cap	✓	Viscous fan drive	✓
Self-locking limited slip differential on front axle	✓	Reversible fan (for radiator cleaning)	✗
Self-locking limited slip differential on rear axle	○	Service brake on both axles with separate circuits	✓
Recovery hitch	✓	Centralized automatic lubrication system	○
Warning beacon	✓	Ride control	○
LED Double warning beacon	○	Floating mode	○
Soundproofing	✓	"Flow Sharing" hydraulic system	✓
Spare parts catalogue	✓	Proportional boom and auxiliary controls	✓
Use and Maintenance Manual	✓	Adjustable constant hydraulic flow on auxiliary line	○
Type-approval for road traffic	✓	Engine preheating system	○
European agricultural tractor type-approval (Mother regulation)	○	Biodegradable hydraulic oil	○
Safety clamp for bucket and lifting cylinders	✓	Hydraulic oil ISO 46	○
Anti-tipping device	✓	Cyclonic dust separator	✓
Safety block valves on lifting and bucket cylinders	✓	Road lights front and rear	✓
Telescopic boom cylinder with brake (while retracting)	✓	Reverse light	✓
Speed selection on joystick	✓	Rear fog light	✓
Transmission disengagement switch	✓	Boom worklights	○
F/N/R selection on joystick	✓	Plastic front and rear mud guards	✓

**CABIN
EQUIPMENT**


ROPS/FOPS 1st Level cabin, pressurized and soundproofed	✓	Radio preparation	✓
ROPS/FOPS 2nd Level cabin, pressurized and soundproofed	○	12v power socket	✓
Double entrance door	✓	Manual air conditioning	✓
Front and rear windscreen wipers & washer	✓	"Venieri Climatronic" system	○
LED Worklights (2 front + 2 rear)	✓	Interior light	✓
Mobile phone compartment	✓	Sun visor	✓
Bottle holder	✓	External rear view mirrors	✓
Document compartment	✓	Heated rear view mirrors	○
Seat with mechanical suspension	✓	First-aid kit	○
Seat with pneumatic suspension	○	Fire extinguisher (2kg)	○
Seat armrest (left)	✓	Seat belt	✓
Adjustable joystick control console and armrest	✓	Instrumentation and dashboard with LCD display	✓
Back-up buzzer	✓	Safety glass breaker	✓
Cabin carpet	✓	Adjustable steering column	✓
		Rear view camera with colour screen	○

EQUIPMENT


Hydraulic quick coupler	○
Hydraulic quick coupler Pin and Cone	○
Digging bucket	○
Light material bucket	○
Concrete mixing bucket	○
Multipurpose bucket (4 in 1)	○
Lifting forks	○
Root rake with grapples	○
Bale forks	○
Snow blade or V-Blade	○
Tilting dozer blade	○
Unpressurized return pipe on fixed boom	○
Double auxiliary line	○
Hydraulic trailer hook	○
Rear power socket	○
Hydraulic trailer brake	○
Pneumatic trailer brake	○
Rear auxiliary	○



Via Piratello, 106 - 48022 Lugo (RA) - ITALY
 Tel. +39 0545 904411 Fax +39 0545 30389
 e-mail: info@vf-venieri.com | www.vf-venieri.com
Spare Parts Department
 Tel. +39 0545 904429 Fax +39 0545 24555
 e-mail: ricambi@vf-venieri.com